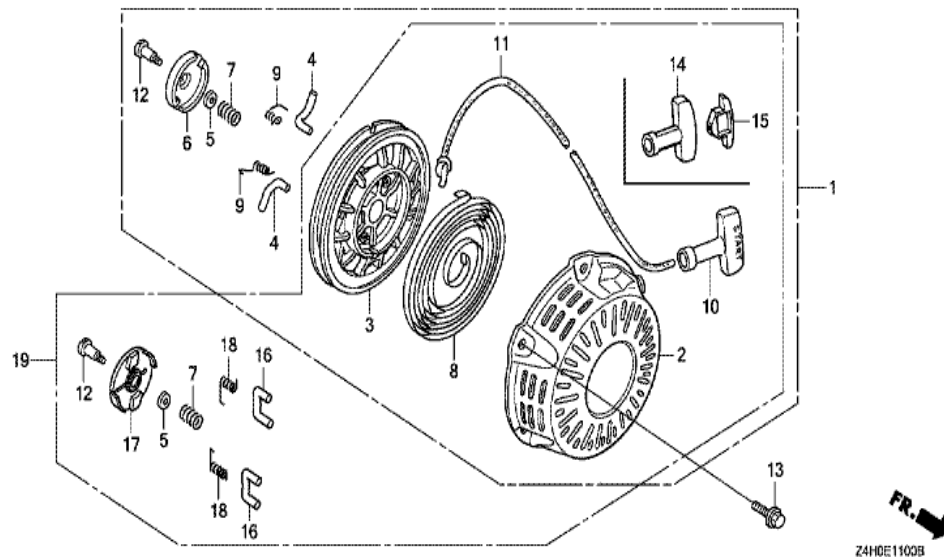


GX120UT2(WKT2)

E-11 RECOIL STARTER



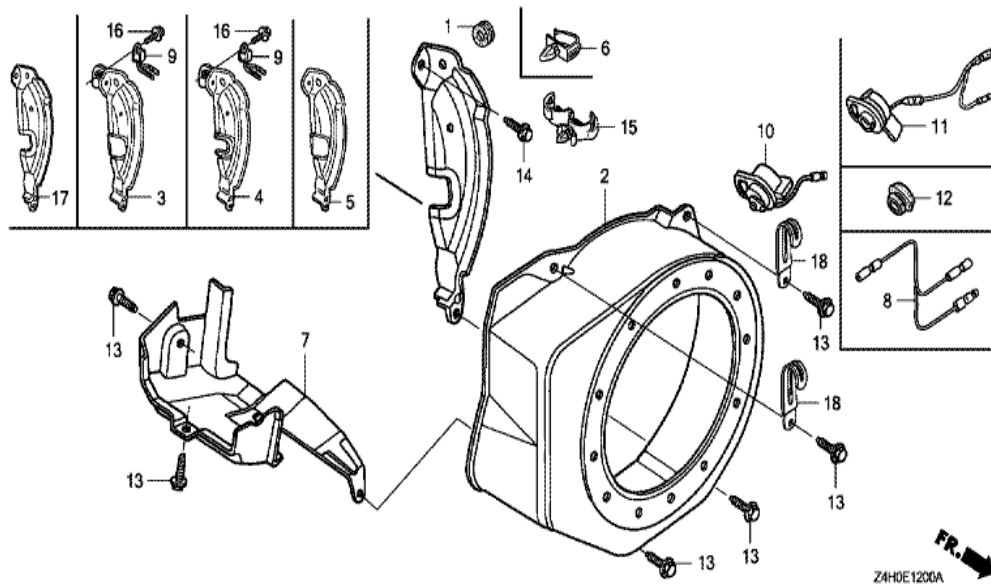
Z4H0E1100B

<u>Ref</u>	<u>Partnumber</u>	<u>Description</u>	<u>GX120UT2</u>	<u>Serial Numbers</u>	
001	28400-Z4M-003ZA	STARTER ASSY., RECOIL *R280*	1	1448117	
001	28400-Z4M-003ZC	STARTER ASSY., RECOIL *NH1*	1	1448117	
001	28400-Z4M-305ZB	STARTER ASSY., RECOIL (COO) (FOR U.S.A.)	1	1448117	
001	28400-Z4M-305ZD	STARTER ASSY., RECOIL (COO) (FOR U.S.A.)	1	1448117	
002	28410-Z4M-003ZB	CASE COMP., RECOIL STARTER *R280*	1		
002	28410-Z4M-003ZD	CASE COMP., RECOIL STARTER *NH1*	1		
003	28421-Z0T-003	REEL, RECOIL STARTER	1	1331316	
003	28421-Z0T-003	REEL, RECOIL STARTER	1	1448118	1448117
003	28421-Z1T-702	REEL, RECOIL STARTER (BLACK)	1		
003	28421-Z1T-702	REEL, RECOIL STARTER (BLACK)	1	1448118	
004	28422-ZH8-801	RATCHET, STARTER	2	1448118	1448117
005	28431-ZH8-801	PLATE, FRICTION	1		
006	28433-ZH8-801	GUIDE, RATCHET	1	1448118	1448117
<u>Ref</u>	<u>Partnumber</u>	<u>Description</u>	<u>GX120UT2</u>	<u>Serial Numbers</u>	
007	28441-ZH8-801	SPRING, FRICTION	1		
008	28442-ZH8-003	SPRING, RECOIL STARTER	1		
009	28443-ZH8-801	SPRING, RETURN	2	1448118	1448117
011	28462-ZH8-003	ROPE, RECOIL STARTER	1		
012	90003-ZH8-801	SCREW, SETTING	1		

013	90008-ZE2-003	BOLT, FLANGE, 6X10	3		1242228
013	95701-0600800	BOLT, FLANGE, 6X8	3		
014	28461-Z4M-003	KNOB, RECOIL STARTER	1		
014	28461-Z4M-305	KNOB, RECOIL STARTER (COO) (FOR U.S.A.)	1		
015	28463-Z4M-003	KNOB, REINFORCEMENT	1		
016	28422-Z1T-701	RATCHET, STARTER	2		
016	28422-Z1T-701	RATCHET, STARTER	2	1448118	
017	28433-Z1T-702	GUIDE, RATCHET	1		
017	28433-Z1T-702	GUIDE, RATCHET	1	1448118	
018	28443-Z1T-701	SPRING, RETURN	2		
018	28443-Z1T-701	SPRING, RETURN	2	1448118	
019	28400-Z4M-306ZB	STARTER ASSY., RECOIL (COO) (FOR U.S.A.)	1	1448118	
019	28400-Z4M-306ZC	STARTER ASSY., RECOIL (COO) (FOR U.S.A.)	1	1448118	
019	28400-Z4M-801ZB	STARTER ASSY., RECOIL *R280*	1	1448118	
019	28400-Z4M-801ZD	STARTER ASSY., RECOIL *NH1*	1	1448118	

GX120UT2(WKT2)

E-12 FAN COVER

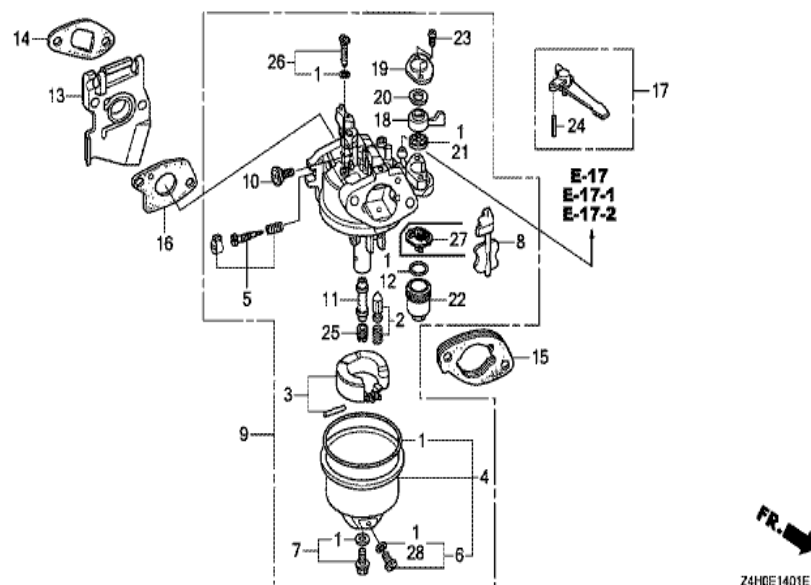


Z4HOE1200A

<u>Ref</u>	<u>Partnumber</u>	<u>Description</u>	<u>GX120UT2</u>	<u>Serial Numbers</u>
001	11347-371-300	GROMMET, ADJUSTING COVER	1	
002	19610-ZE0-000ZE	COVER COMP., FAN *NH1 *	1	
002	19610-ZE0-000ZS	COVER COMP., FAN *R280 *	1	
003	19611-ZH7-810	PLATE COMP., SIDE (OIL ALERT)	1	
007	19630-ZH7-000	SHROUD COMP.	1	
009	34150-ZH7-023	ALERT UNIT, OIL	1	
011	35120-Z0T-831	SWITCH ASSY., ENGINE STOP (TOYO DENSO)	1	1338458
011	35120-Z0T-832	SWITCH ASSY., ENGINE STOP (MINDA)	1	1338458
011	35120-Z0T-851	SWITCH ASSY., ENGINE STOP	1	1338457
013	90013-883-000	BOLT, FLANGE, 6X12 (CT200)	6	
014	90022-888-010	BOLT, FLANGE, 6X20 (CT200)	1	
015	90601-ZH7-013	CLIP, HARNESS	1	
016	95701-0600800	BOLT, FLANGE, 6X8	1	

GX120UT2(WKT2)

E-14-1 CARBURETOR (2)

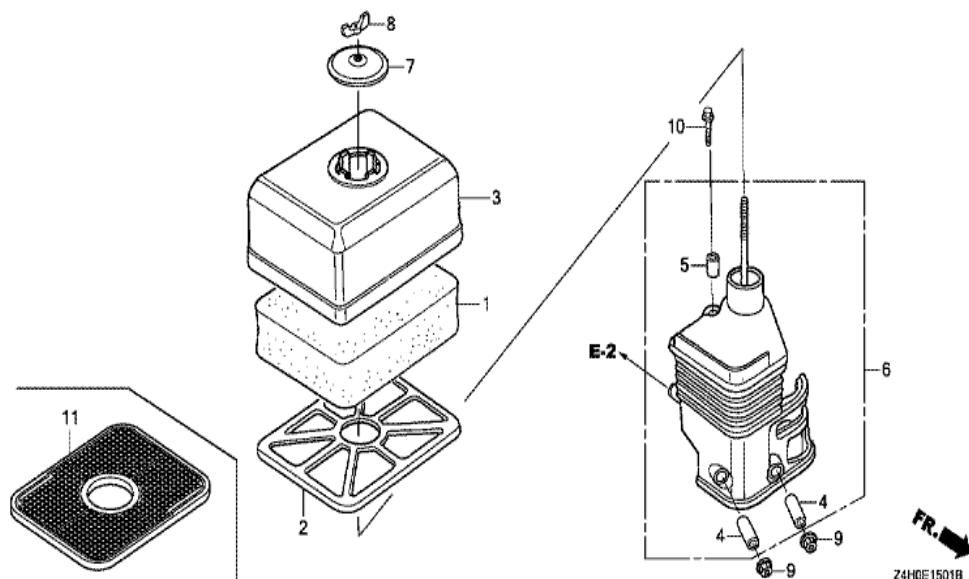


<u>Ref</u>	<u>Partnumber</u>	<u>Description</u>	<u>GX120UT2</u>	<u>Serial Numbers</u>
001	16010-ZE1-812	GASKET SET	1	
002	16011-ZE0-005	VALVE SET, FLOAT	1	
003	16013-Z0S-B01	FLOAT SET	1	
004	16015-Z4M-911	CHAMBER SET, FLOAT	1	
005	16016-ZH7-W01	SCREW SET, PILOT	1	
006	16024-Z5T-901	SCREW SET, DRAIN	1	
007	16028-Z5T-901	SCREW SET	1	
008	16044-ZE0-005	CHOKE SET	1	
009	16100-Z4H-911	CARBURETOR ASSY. (BE60W A)	1	
010	16124-ZE0-005	SCREW, THROTTLE STOP	1	
011	16166-ZH7-W50	NOZZLE, MAIN	1	
012	16173-001-004	O-RING	1	
013	16211-ZE0-000	INSULATOR, CARBURETOR	1	
<u>Ref</u>	<u>Partnumber</u>	<u>Description</u>	<u>GX120UT2</u>	<u>Serial Numbers</u>
014	16212-ZH7-800	PACKING, INSULATOR	1	
015	16220-ZE1-020	SPACER COMP., CARBURETOR	1	
016	16221-ZH8-801	PACKING, CARBURETOR	1	
017	16610-ZE1-000	LEVER COMP., CHOKE (STD.)	1	
018	16953-ZE1-812	LEVER, COCK	1	

019	16954-ZE1-812	PLATE, LEVER SETTING	1
020	16956-ZE1-811	SPRING, COCK LEVER	1
021	16957-ZE1-812	PACKING, FUEL COCK	1
022	16967-ZE0-811	CUP, FUEL STRAINER	1
023	93500-030061H	SCREW, PAN, 3X6	2
024	94305-20122	PIN, SPRING, 2X12	1
025	99101-ZH80580	JET, MAIN, #58	(1)
025	99101-ZH80600	JET, MAIN, #60	(1)
025	99101-ZH80620	JET, MAIN, #62	1
026	99204-ZE00350	JET SET, PILOT, #35	1
027	16959-Z5T-901	FILTER, CUP	1

GX120UT2(WKT2)

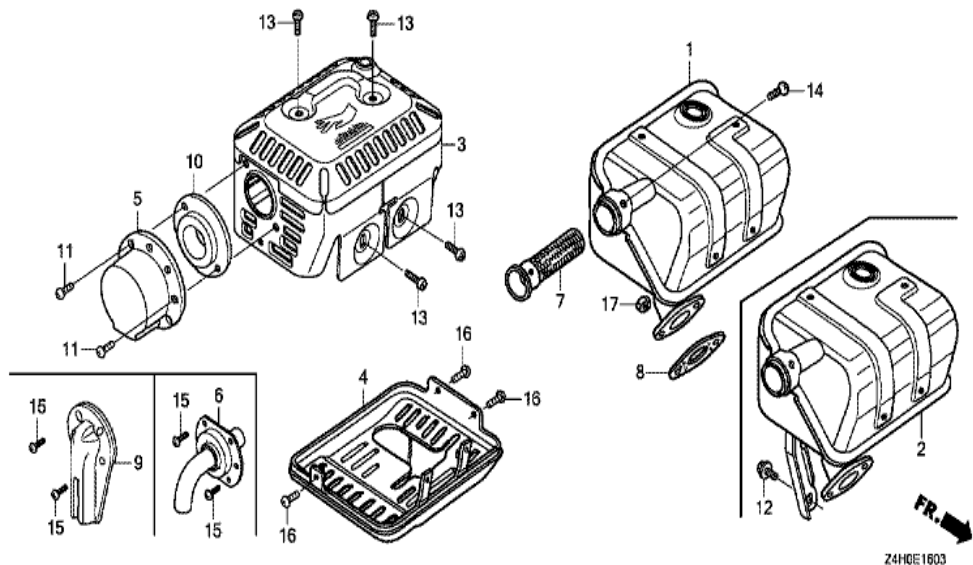
E-15-1 AIR CLEANER (2)



<u>Ref</u>	<u>Partnumber</u>	<u>Description</u>	<u>GX120UT2</u>	<u>Serial Numbers</u>
001	17211-ZE1-000	ELEMENT, AIR CLEANER (SEMI DRY)	1	
002	17212-ZE1-000	GRID, AIR CLEANER (SEMI DRY)	1	1348047
003	17231-ZE0-000	COVER, AIR CLEANER (SEMI DRY)	1	
004	17238-ZE0-010	COLLAR, AIR CLEANER	2	
005	17239-ZE1-000	COLLAR B, AIR CLEANER	1	
006	17410-ZE0-030	ELBOW COMP., AIR CLEANER	1	
006	17410-ZE0-040	ELBOW COMP., AIR CLEANER	1	
007	17421-ZE1-000	CAP, CLEANER	1	
008	90325-044-000	NUT, TOOL BOX SETTING	1	
009	94050-06000	NUT, FLANGE, 6MM	2	
010	95701-0602000	BOLT, FLANGE, 6X20	1	
011	17250-Z0T-810	GRID, AIR CLEANER	1	1348048

GX120UT2(WKT2)

E-16-3 MUFFLER (4)

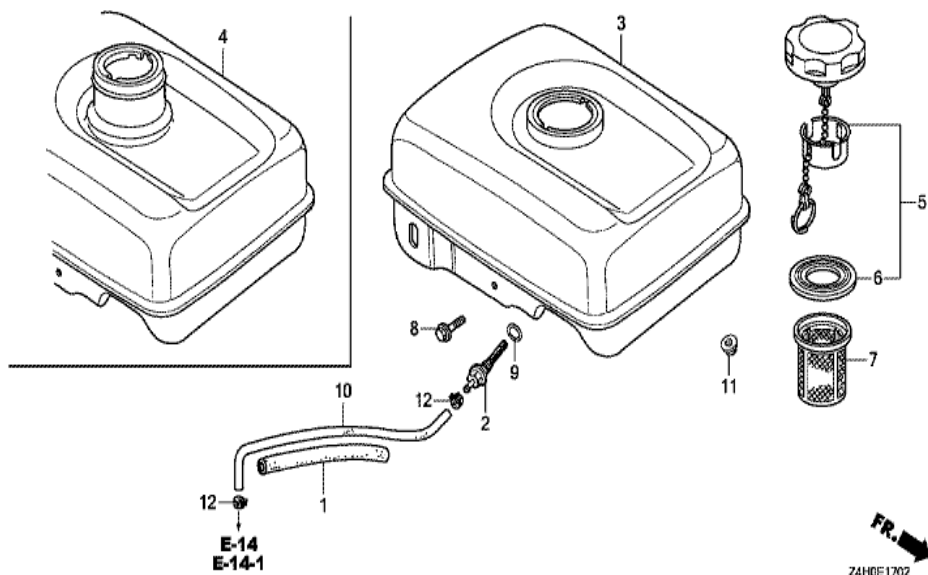


Z4HGE1603

<u>Ref</u>	<u>Partnumber</u>	<u>Description</u>	<u>GX120UT2</u>	<u>Serial Numbers</u>
001	18310-Z4M-810	MUFFLER COMP. (ARRESTER)	1	
001	18310-Z4M-811	MUFFLER COMP. (ARRESTER)	1	
003	18320-Z4M-000	PROTECTOR COMP., MUFFLER (STD.)	1	
007	18355-ZE1-000	ARRESTER, SPARK	1	
008	18381-Z0T-801	GASKET, MUFFLER	1	
013	90050-ZE1-000	SCREW, TAPPING, 5X8	4	
014	90055-ZE1-000	SCREW, TAPPING, 4X6	1	
017	94001-080000S	NUT, HEX., 8MM	2	

GX120UT2(WKT2)

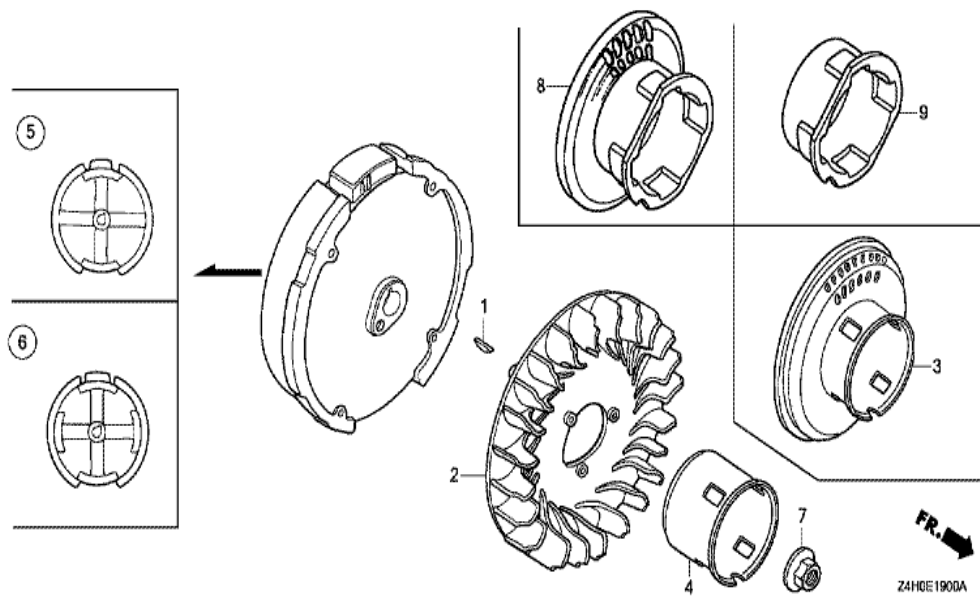
E-17-2 FUEL TANK (3)



<u>Ref</u>	<u>Partnumber</u>	<u>Description</u>	<u>GX120UT2</u>	<u>Serial Numbers</u>
001	16854-ZH8-000	RUBBER, SUPPORTER (107MM)	1	
002	16955-ZE1-010	JOINT, FUEL TANK	1	
003	17510-Z4H-000ZA	TANK COMP., FUEL (GAUGELESS) *NH31*	1	
003	17510-Z4H-000ZB	TANK COMP., FUEL (GAUGELESS) *NH1*	1	
005	17620-Z4H-020	CAP COMP., FUEL FILLER	1	1023393
005	17620-Z4H-030	CAP COMP., FUEL FILLER	1	1023394
005	17620-Z4H-900	CAP COMP., FUEL FILLER	1	
005	17620-Z4H-910	CAP COMP., FUEL FILLER	1	
005	17620-Z4M-000	CAP COMP., FUEL FILLER	1	
006	17631-Z0T-801	PACKING, FUEL FILLER CAP (39X62X3) (RADI	1	
006	17631-Z1T-800	PACKING, FUEL FILLER CAP (39X62X3) (TOYO	1	
007	17672-Z4H-000	FILTER, FUEL	1	
008	90004-ZH7-003	BOLT, FLANGE, 6X29	1	
<u>Ref</u>	<u>Partnumber</u>	<u>Description</u>	<u>GX120UT2</u>	<u>Serial Numbers</u>
009	91353-671-004	O-RING, 14MM (NOK)	1	
010	91424-Z4F-802	TUBE, FUEL, 4.5X140 (FKM)	1	
011	94050-06000	NUT, FLANGE, 6MM	2	
012	95002-4080008	CLAMP, TUBE (D8)	2	

GX120UT2(WKT2)

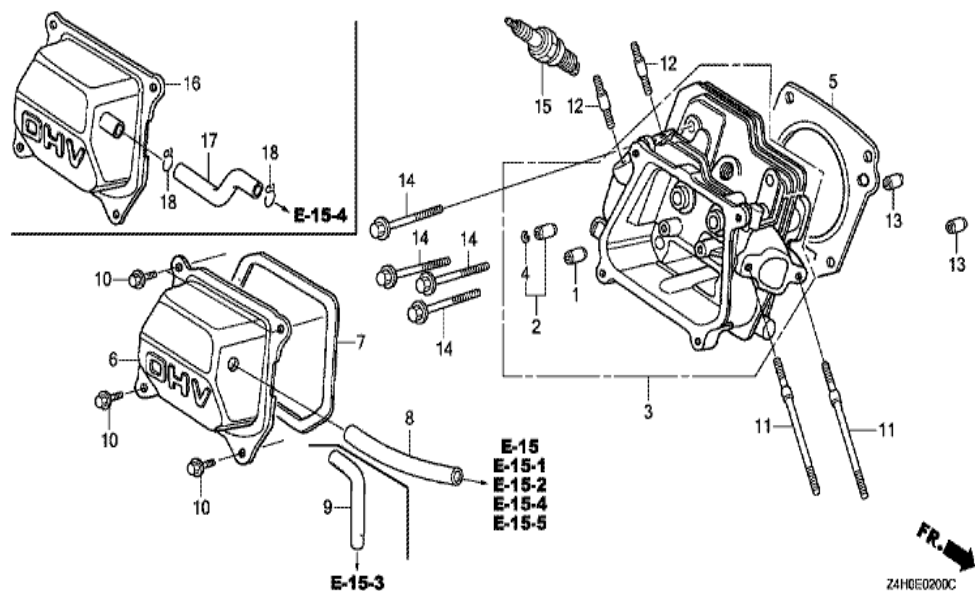
E-19 FLYWHEEL



<u>Ref</u>	<u>Partnumber</u>	<u>Description</u>	<u>GX120UT2</u>	<u>Serial Numbers</u>
001	13331-Z8B-900	KEY, SPECIAL WOODRUFF, 25X18	1	
002	19511-ZE0-000	FAN, COOLING	1	
004	28451-ZH7-801	PULLEY, STARTER	1	1448117
005	31100-ZE0-020	FLYWHEEL COMP.	1	
007	90201-Z0T-800	NUT, SPECIAL, 14MM	1	
009	28451-Z4H-003	PULLEY, STARTER	1	1448118

GX120UT2(WKT2)

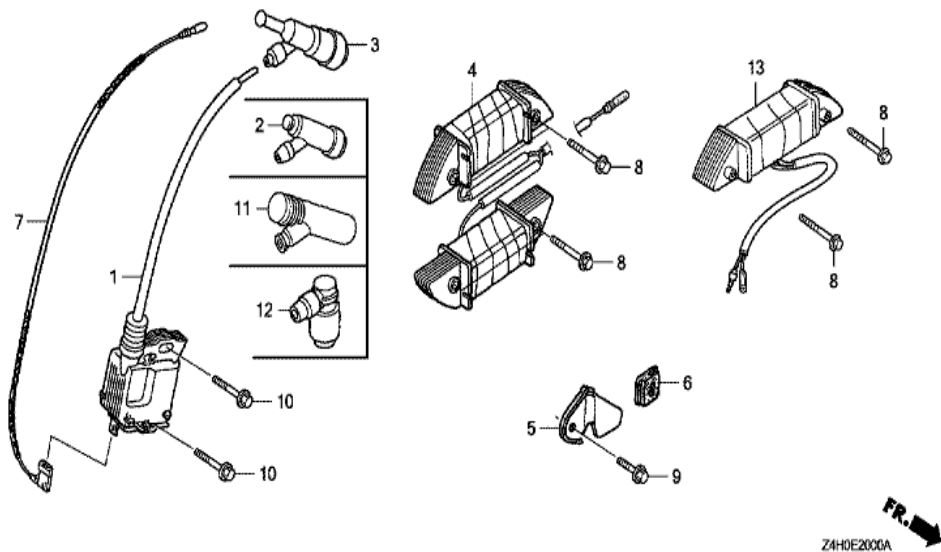
E-2 CYLINDER HEAD



<u>Ref</u>	<u>Partnumber</u>	<u>Description</u>	<u>GX120UT2</u>	<u>Serial Numbers</u>
001	12204-ZE1-306	GUIDE, IN. VALVE (OS)	1	
002	12205-ZE1-315	GUIDE, EX. VALVE (O.S.)	1	
003	12210-ZH7-415	HEAD COMP., CYLINDER	1	
004	12216-ZE5-300	CLIP, VALVE GUIDE	1	
005	12251-Z0S-801	GASKET, CYLINDER HEAD (THAI LEAKLESS)	1	
006	12310-Z4M-010	COVER COMP., HEAD	1	
007	12391-ZE1-000	PACKING, HEAD COVER	1	
008	15721-ZH8-000	TUBE, BREATHER	1	
010	90013-883-000	BOLT, FLANGE, 6X12 (CT200)	4	
011	90043-ZE1-020	BOLT, STUD, 6X112	2	
012	90047-ZE1-000	BOLT, STUD, 8X32	2	
013	94301-10160	DOWEL PIN, 10X16	2	
014	95701-0805500	BOLT, FLANGE, 8X55	4	
<u>Ref</u>	<u>Partnumber</u>	<u>Description</u>	<u>GX120UT2</u>	<u>Serial Numbers</u>
015	98079-55876	PLUG, SPARK (BPR5ES) (NGK)	(1)	
015	98079-56876	PLUG, SPARK (BPR6ES) (NGK)	1	

GX120UT2(WKT2)

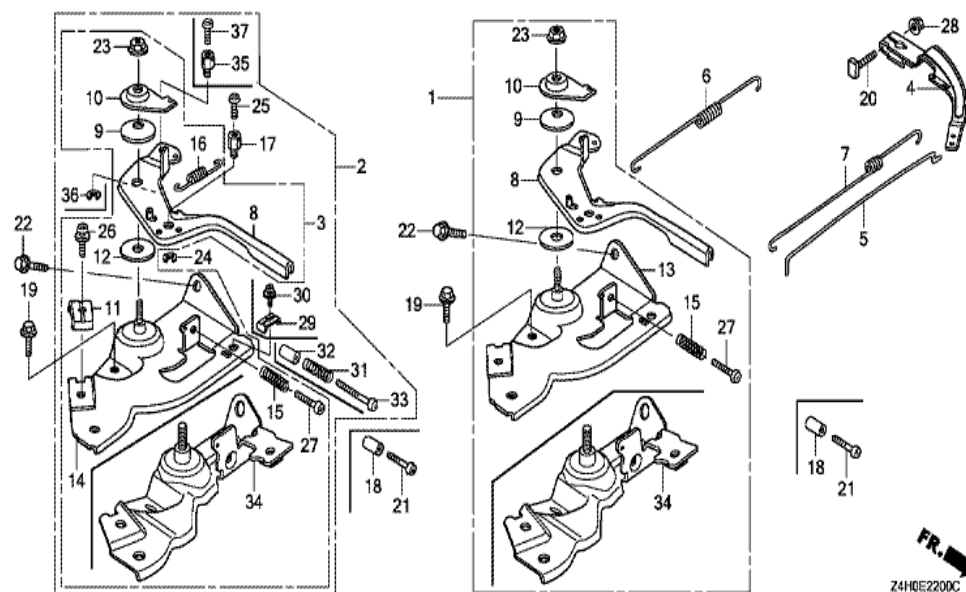
E-20 IGNITION COIL



<u>Ref</u>	<u>Partnumber</u>	<u>Description</u>	<u>GX120UT2</u>	<u>Serial Numbers</u>
001	30500-Z0T-003	COIL ASSY., IGNITION (TEC)	1	1338458
001	30500-Z0T-802	COIL ASSY., IGNITION (TEC)	1	1338457
003	30700-Z0T-821	CAP ASSY., NOISE SUPPRESSOR (TEC)	1	
007	32195-Z0T-003	CORD, STOP SWITCH (370MM)	1	1343827
007	36101-ZE1-010	CORD, STOP SWITCH (370MM)	1	1343826
010	90121-952-000	BOLT, FLANGE, 6X25 (CT200)	2	

GX120UT2(WKT2)

E-22 CONTROL (1)



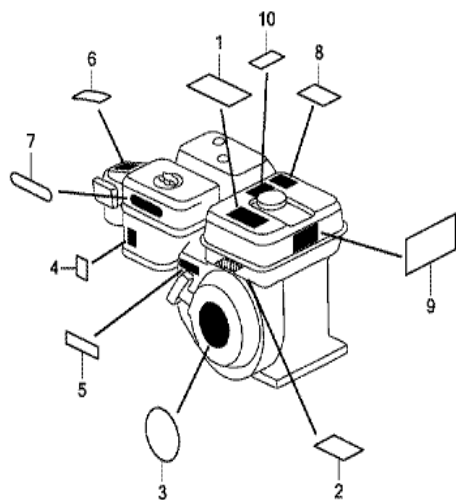
Z4HGE2200C

<u>Ref</u>	<u>Partnumber</u>	<u>Description</u>	<u>GX120UT2</u>	<u>Serial Numbers</u>
002	16500-Z4H-307	CONTROL ASSY. (REMOTE INTL) (COO) (FOR U	1	
002	16500-Z4H-810	CONTROL ASSY. (REMOTE INTL)	1	
002	16500-Z4H-811	CONTROL ASSY. (REMOTE INTL)	1	
004	16551-ZE0-010	ARM, GOVERNOR	1	
005	16555-ZE0-000	ROD, GOVERNOR	1	
006	16561-ZE0-030	SPRING, GOVERNOR	1	
007	16562-ZE0-020	SPRING, THROTTLE RETURN	1	
008	16571-Z4H-010	LEVER, CONTROL	1	
009	16574-ZE1-000	SPRING, LEVER	1	
010	16575-ZH8-000	WASHER, CONTROL LEVER	1	
011	16576-891-000	HOLDER, CABLE	1	
012	16578-ZE1-000	SPACER, CONTROL LEVER	1	
015	16584-883-300	SPRING, CONTROL ADJUSTING	1	
<u>Ref</u>	<u>Partnumber</u>	<u>Description</u>	<u>GX120UT2</u>	<u>Serial Numbers</u>
016	16592-ZE1-810	SPRING, CABLE RETURN	1	
017	16594-883-010	HOLDER, WIRE	1	
019	90013-883-000	BOLT, FLANGE, 6X12 (CT200)	1	
020	90015-Z5T-000	BOLT, GOVERNOR ARM	1	1110376
020	90015-ZE5-010	BOLT, GOVERNOR ARM	1	1110375

022	90022-888-010	BOLT, FLANGE, 6X20 (CT200)	1
023	90114-SA0-000	NUT, SELF-LOCK, 6MM	1
024	90605-230-000	CIRCLIP, 5MM	1
025	93500-040060H	SCREW, PAN, 4X6	1
026	93500-050160A	SCREW, PAN, 5X16	1
027	93500-050250H	SCREW, PAN, 5X25	1
028	94050-06000	NUT, FLANGE, 6MM	1
034	16580-Z4H-810	BASE COMP., CONTROL	1

GX120UT2(WKT2)

E-28 LABEL

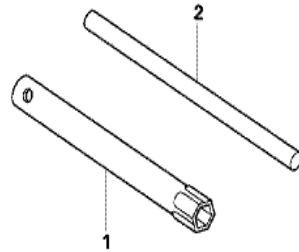


Z4HGE2800C

<u>Ref</u>	<u>Partnumber</u>	<u>Description</u>	<u>GX120UT2</u>	<u>Serial Numbers</u>
003	87521-Z4H-000	EMBLEM (GX120)	1	
004	87528-Z4M-000	MARK, CHOKE	1	
005	87532-ZH7-000	MARK, THROTTLE INDICATION	1	
009	87516-Z4H-010	MARK, OPERATOR CAUTION (ENGLISH) (MADE I	1	
010	87539-Z4M-000	MARK, EX. CAUTION (ENGLISH)	1	

GX120UT2(WKT2)

E-29 TOOL

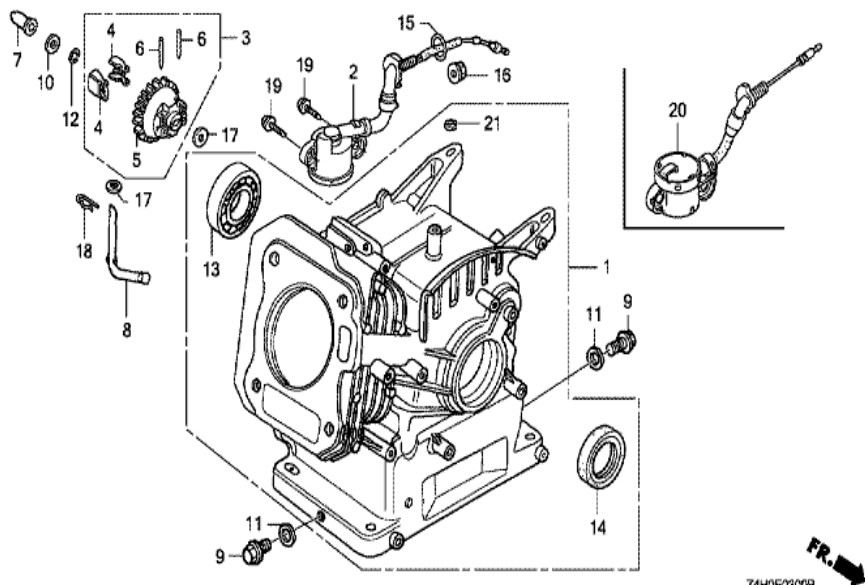


Z4H0-E2900

<u>Ref</u>	<u>Partnumber</u>	<u>Description</u>	<u>GX120UT2</u>	<u>Serial Numbers</u>
001	89216-Z0T-800	WRENCH, SPARK PLUG	1	

GX120UT2(WKT2)

E-3 CYLINDER BARREL



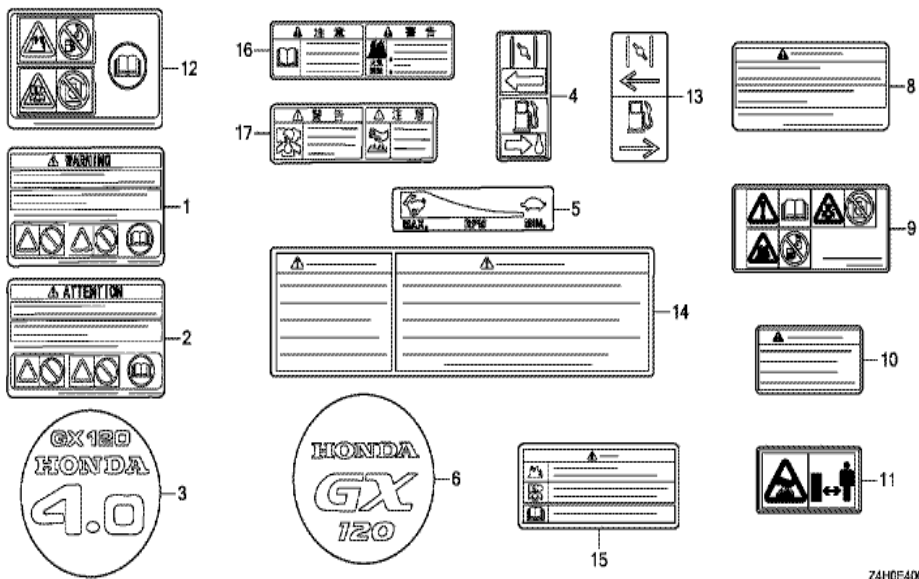
Z4H0E300B

<u>Ref</u>	<u>Partnumber</u>	<u>Description</u>	<u>GX120UT2</u>	<u>Serial Numbers</u>
001	12000-Z0S-416	BARREL ASSY., CYLINDER (OIL ALERT)	1	
003	16510-ZE1-000	GOVERNOR ASSY.	1	
004	16511-ZE1-000	WEIGHT, GOVERNOR	2	
005	16512-ZE1-000	HOLDER, GOVERNOR WEIGHT	1	
006	16513-ZE1-000	PIN, GOVERNOR WEIGHT	2	
007	16531-ZE1-000	SLIDER, GOVERNOR	1	
008	16541-ZE1-000	SHAFT, GOVERNOR ARM	1	
009	90131-ZE1-000	BOLT, DRAIN PLUG	2	
010	90451-ZE1-000	WASHER, THRUST, 6MM	1	
011	90601-ZE1-000	WASHER, DRAIN PLUG, 10.2MM	2	
012	90602-ZE1-000	CLIP, GOVERNOR HOLDER	1	
013	91001-878-003	BEARING, RADIAL BALL,	1	
014	91202-ZE6-013	OIL SEAL, 22X35X6	1	
<u>Ref</u>	<u>Partnumber</u>	<u>Description</u>	<u>GX120UT2</u>	<u>Serial Numbers</u>
015	91353-671-004	O-RING, 14MM (NOK)	1	
016	94050-10000	NUT, FLANGE, 10MM	1	
017	94101-06800	WASHER, PLAIN, 6MM	2	
018	94251-08000	PIN, LOCK, 8MM	1	
019	95701-0601200	BOLT, FLANGE, 6X12	2	

020	35480-Z0T-003	SWITCH ASSY., OIL LEVEL	1
020	35480-Z4M-003	SWITCH ASSY., OIL LEVEL (ASAHI DENSO)	1

GX120UT2(WKT2)

E-40-1 OTHER PARTS (LABEL)

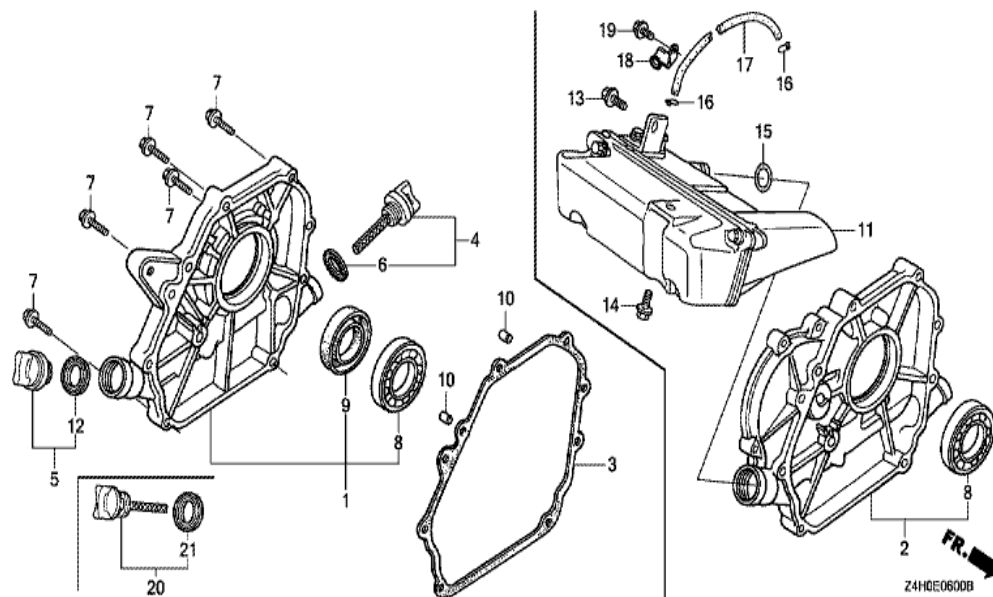


Z4HGE4001E

<u>Ref</u>	<u>Partnumber</u>	<u>Description</u>	<u>GX120UT2</u>	<u>Serial Numbers</u>
008	87516-Z4H-801	MARK, OPERATOR CAUTION (FRENCH) (MADE IN	1	
009	87519-Z4H-000	MARK, OPERATOR CAUTION (PICTOGRAPH)	1	
010	87539-Z4M-810	MARK, EX. CAUTION (FRENCH)	1	
011	87539-Z4M-800	MARK, EX. CAUTION (PICTOGRAPH)	1	
015	87516-ZK6-800	MARK, OPERATOR CAUTION (CHINESE)	1	1031897

GX120UT2(WKT2)

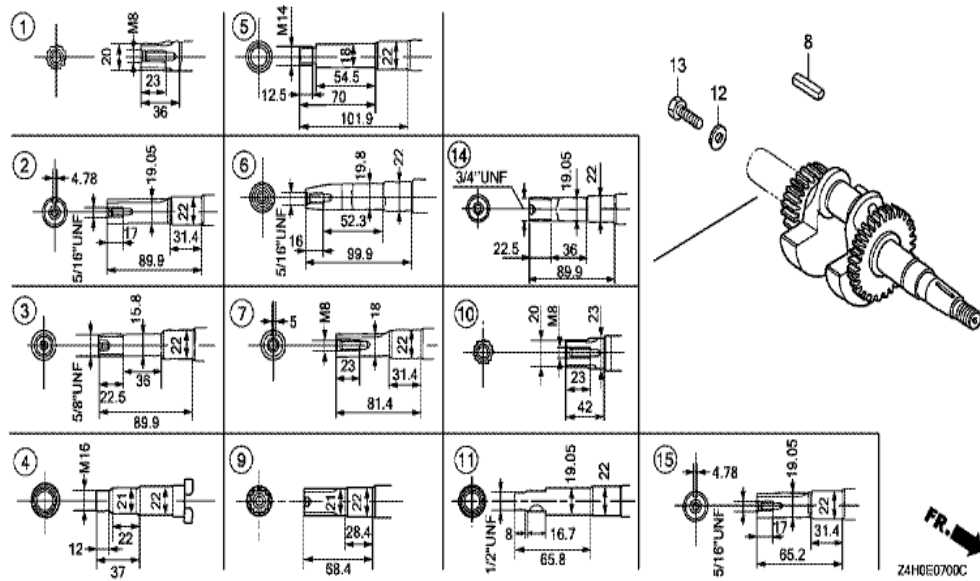
E-6 CRANKCASE COVER



<u>Ref</u>	<u>Partnumber</u>	<u>Description</u>	<u>GX120UT2</u>	<u>Serial Numbers</u>
001	11300-ZE0-634	COVER ASSY., CRANKCASE	1	
003	11381-ZH7-800	PACKING, CASE COVER	1	
004	15600-Z0T-810	CAP ASSY., OIL FILLER (GAUGE) (GRAY)	1	
005	15600-Z0T-820	CAP ASSY., OIL FILLER (BLACK)	1	
007	90015-883-000	BOLT, FLANGE, 6X28 (CT200)	7	
008	91001-878-003	BEARING, RADIAL BALL,	1	
009	91203-ZE0-013	OIL SEAL, 22X41X6	1	
010	94301-08140	DOWEL PIN, 8X14	2	
012	15625-Z0T-800	PACKING, OIL FILLER CAP	1	

GX120UT2(WKT2)

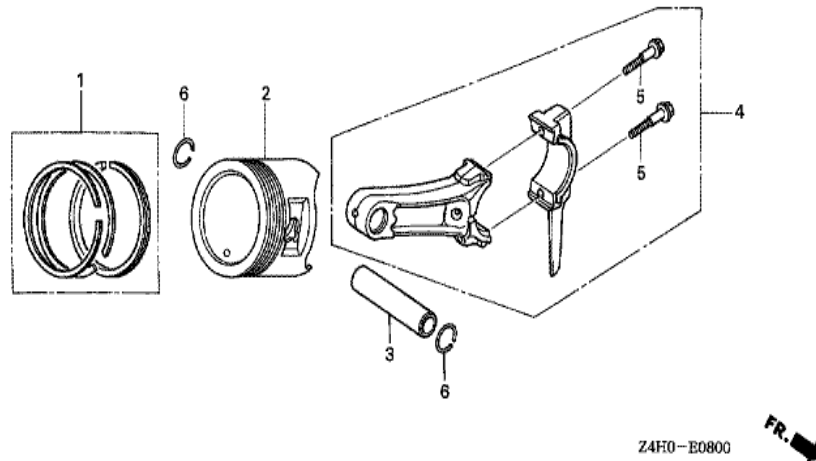
E-7 CRANKSHAFT



<u>Ref</u>	<u>Partnumber</u>	<u>Description</u>	<u>GX120UT2</u>	<u>Serial Numbers</u>
005	13310-Z0S-860	CRANKSHAFT COMP.	1	

GX120UT2(WKT2)

E-8 PISTON



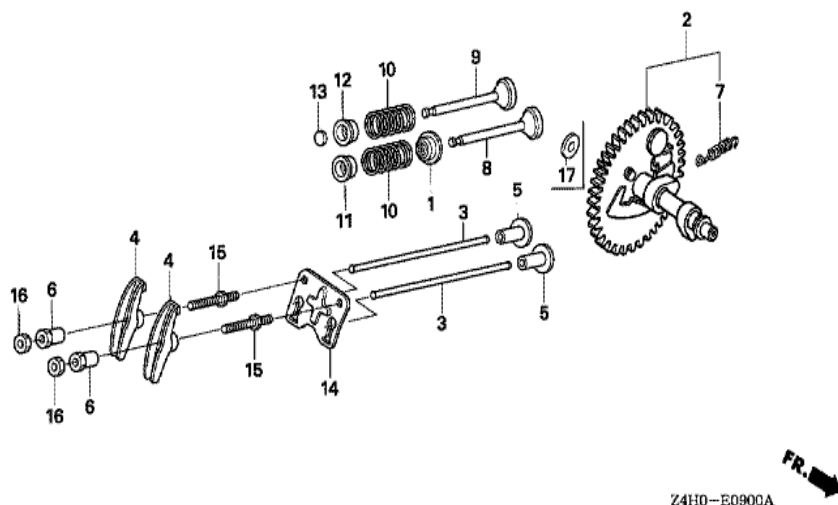
FR. →

<u>Ref</u>	<u>Partnumber</u>	<u>Description</u>	<u>GX120UT2</u>	<u>Serial Numbers</u>
001	13010-Z4F-004	RING SET, PISTON (STD.) (TEIKOKU)	1	
001	13010-Z4H-003	RING SET, PISTON (STD.) (RIKEN)	1	
001	13011-Z4F-004	RING SET, PISTON (0.25) (TEIKOKU)	(1)	
001	13011-Z4H-003	RING SET, PISTON (0.25) (RIKEN)	(1)	
001	13012-Z4F-004	RING SET, PISTON (0.50) (TEIKOKU)	(1)	
001	13012-Z4H-003	RING SET, PISTON (0.50) (RIKEN)	(1)	
001	13013-Z4F-004	RING SET, PISTON (0.75) (TEIKOKU)	(1)	
001	13013-Z4H-003	RING SET, PISTON (0.75) (RIKEN)	(1)	
002	13101-ZH7-020	PISTON (STD.)	1	
002	13102-ZH7-020	PISTON (0.25)	(1)	
002	13102-ZH7-020	PISTON (0.25)	(1)	
002	13103-ZH7-020	PISTON (0.50)	(1)	
002	13103-ZH7-020	PISTON (0.50)	(1)	
<u>Ref</u>	<u>Partnumber</u>	<u>Description</u>	<u>GX120UT2</u>	<u>Serial Numbers</u>
002	13104-ZH7-020	PISTON (0.75)	(1)	
002	13104-ZH7-020	PISTON (0.75)	(1)	
003	13111-ZE0-000	PIN, PISTON	1	
004	13200-Z0S-305	ROD ASSY., CONNECTING (UNDER SIZE)	(1)	
004	13200-Z0S-800	ROD ASSY., CONNECTING	1	

005	90001-ZE1-000	BOLT, CONNECTING ROD	2
006	90551-ZE0-000	CLIP, PISTON PIN, 13MM	2

GX120UT2(WKT2)

E-9 CAMSHAFT



Z4H0-E0900A



<u>Ref</u>	<u>Partnumber</u>	<u>Description</u>	<u>GX120UT2</u>	<u>Serial Numbers</u>
001	12209-Z4M-801	SEAL, VALVE STEM	1	
002	14100-ZE0-812	CAMSHAFT ASSY.	1	
003	14410-ZE0-010	ROD, PUSH	2	
004	14431-ZE1-000	ARM, VALVE ROCKER	2	
005	14441-ZE1-010	LIFTER, VALVE	2	
006	14451-Z4M-000	PIVOT, ROCKER ARM	2	1286935
006	14451-ZE1-013	PIVOT, ROCKER ARM	2	1286934
007	14568-ZE1-000	SPRING, WEIGHT RETURN	1	
008	14711-Z4H-000	VALVE, IN.	1	
009	14721-Z4H-000	VALVE, EX.	1	
010	14751-ZF1-000	SPRING, VALVE	2	
011	14771-Z0T-900	RETAINER, VALVE SPRING	1	1220027
012	14771-Z0T-900	RETAINER, VALVE SPRING	1	1220027
<u>Ref</u>	<u>Partnumber</u>	<u>Description</u>	<u>GX120UT2</u>	<u>Serial Numbers</u>
012	14771-ZE1-000	RETAINER, IN. VALVE SPRING	1	1220026
014	14791-ZE0-010	PLATE, PUSH ROD GUIDE	1	
015	90012-ZE0-010	BOLT, PIVOT, 8MM	2	
016	90206-ZE1-000	NUT, PIVOT ADJUSTING	2	